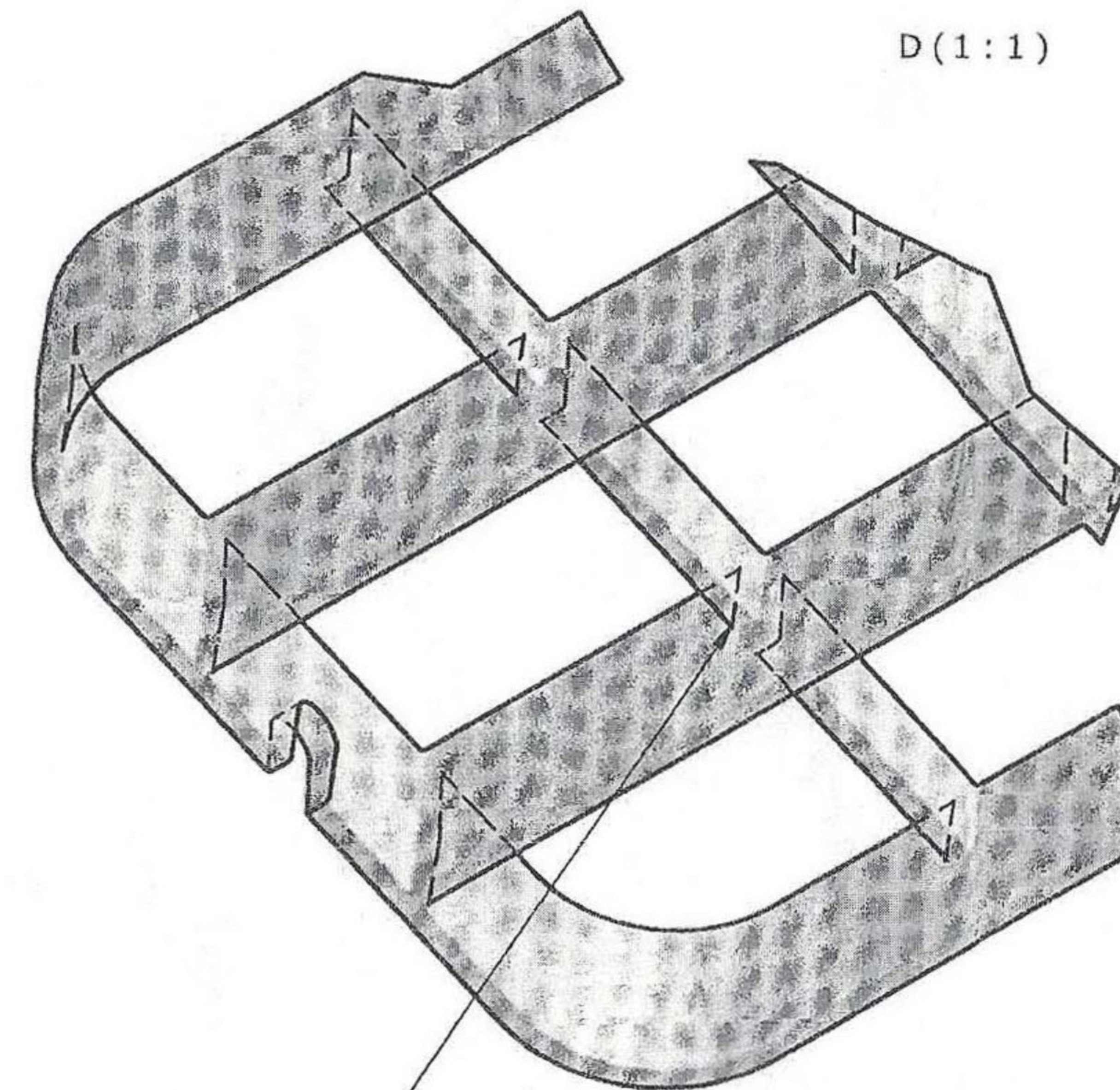
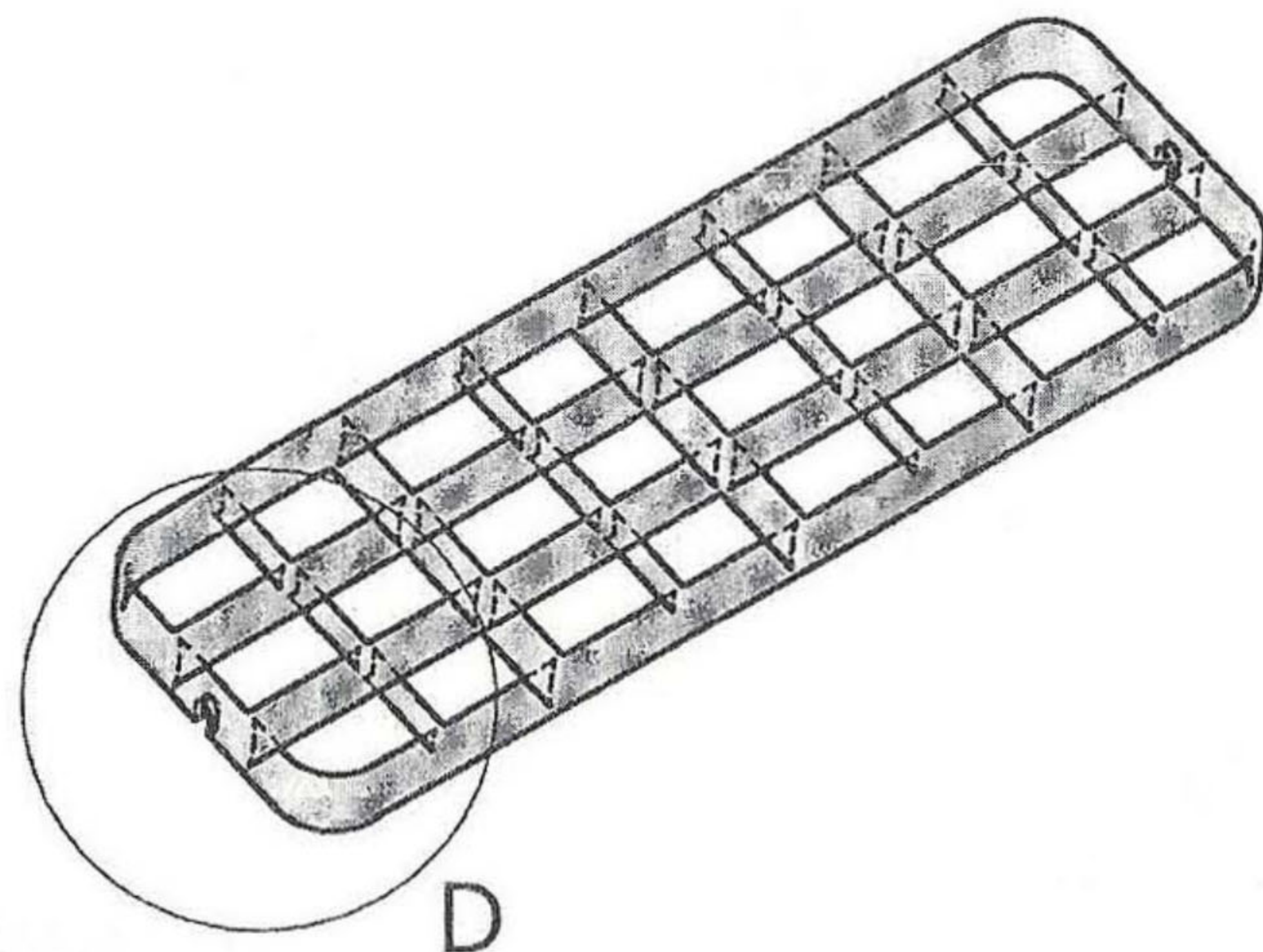


- 要求:
- 1.材质:铝
  - 2.产品需由螺母和焊接固定
  - 3.拔模斜度: 1.5°

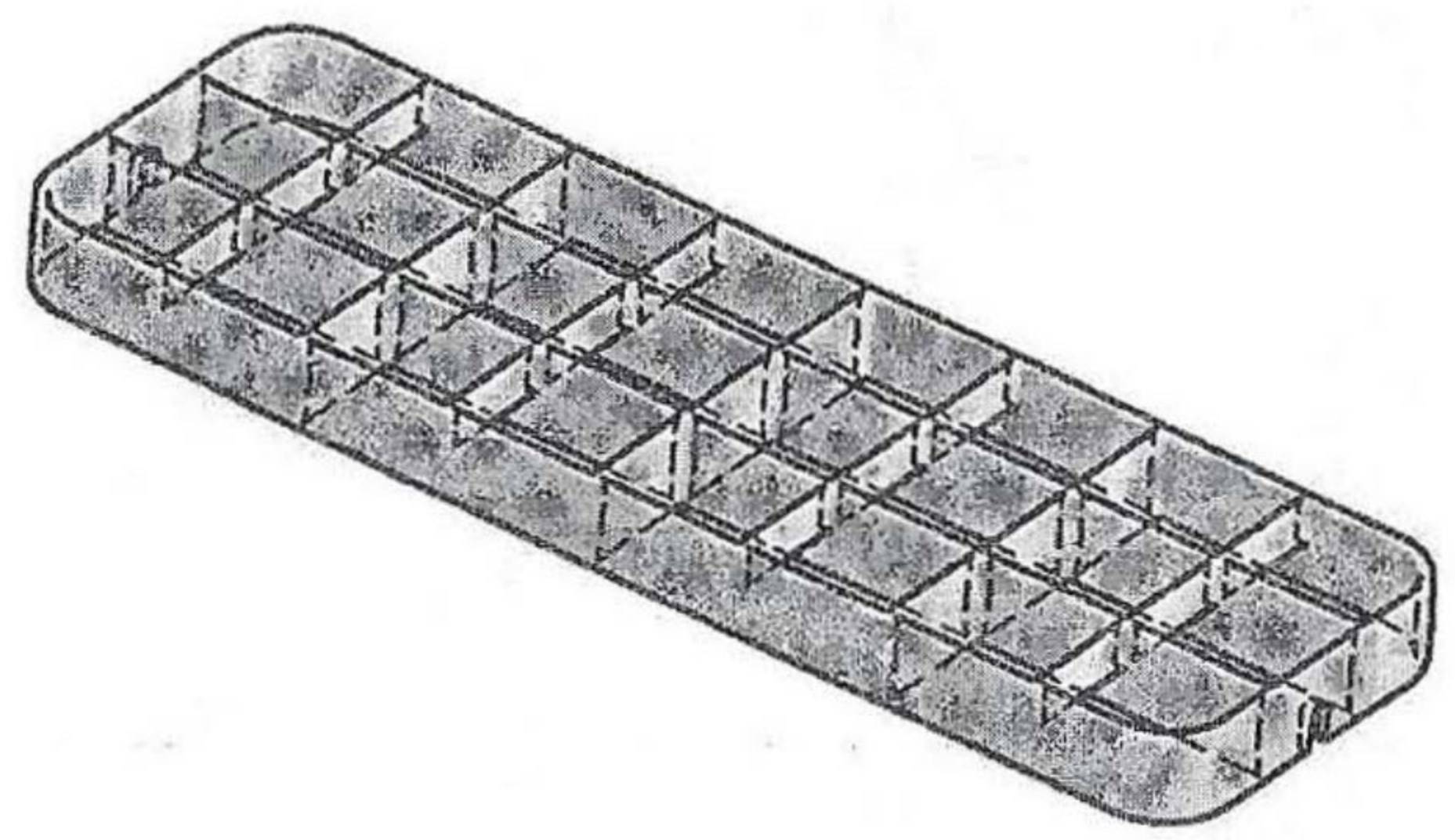
Material:		Treatment:		Weight:	
Aluminum				0.430kg	
Gen. Tol.:		Designation:			
Format:		Aluminum step			
A4		Reference:		Page:	
		FW-150713-STEP		1/2	
		Revision:		B	

D(1:1)



Reinforcement up to the parting line

加固到合模线



Material:		Treatment:		Weight:	
Aluminum				0.430kg	
			Designation:		
			Aluminum step		
Gen. Tol.:	Format:	Reference:	Page:	Revision:	
	A4	FW-150713-STEP	2/2	B	