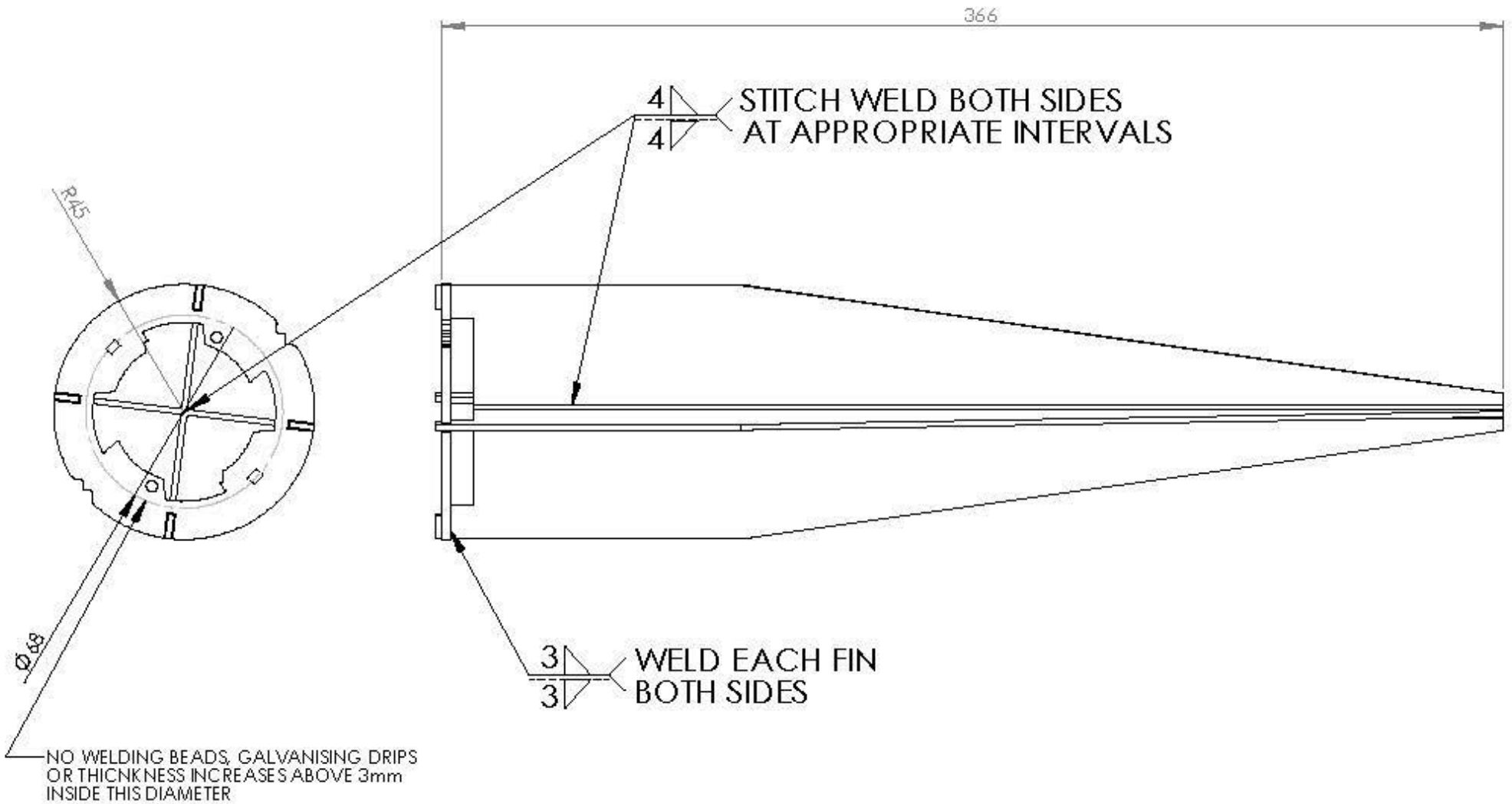
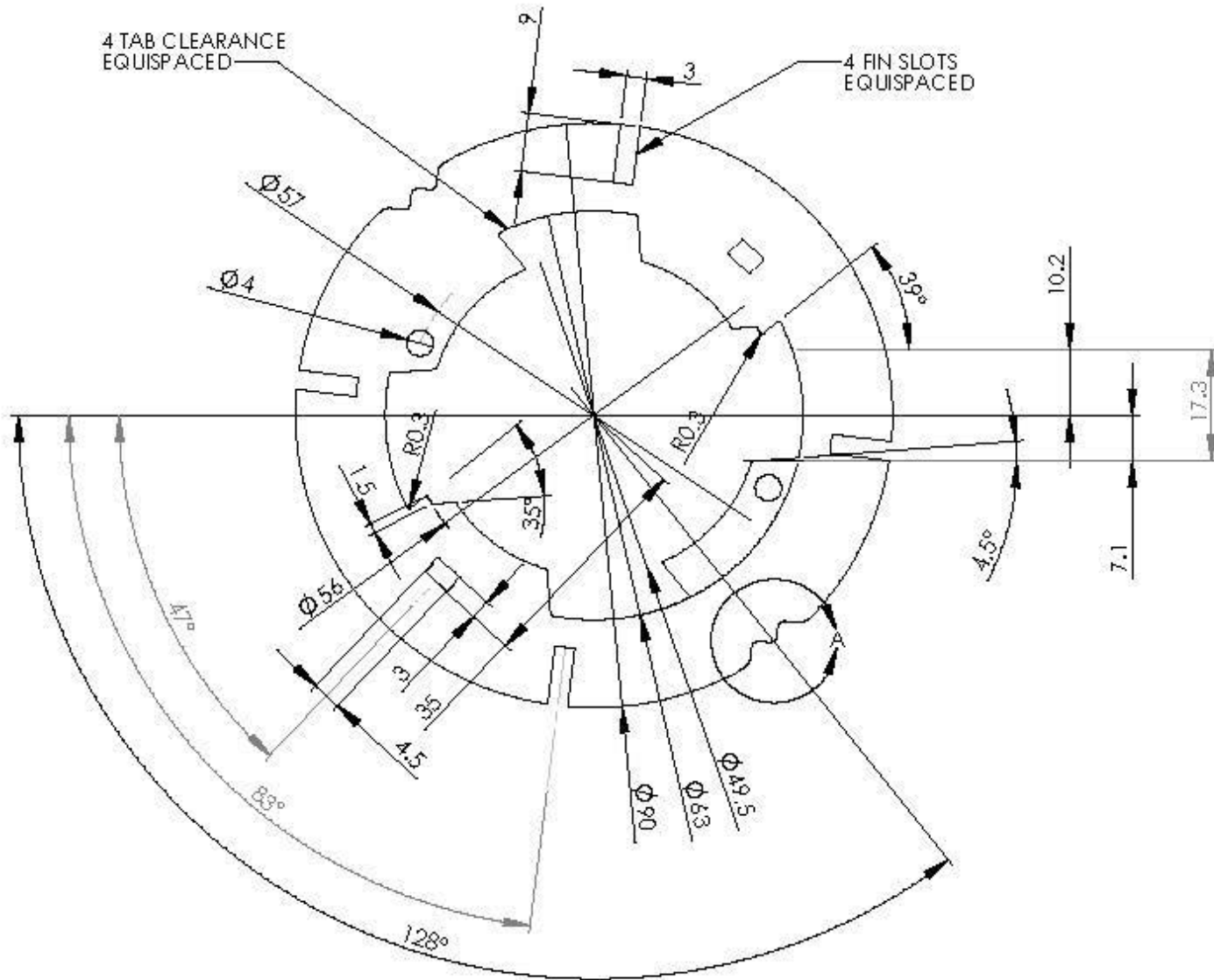


REV 0 - RELEASED FOR QUOTE

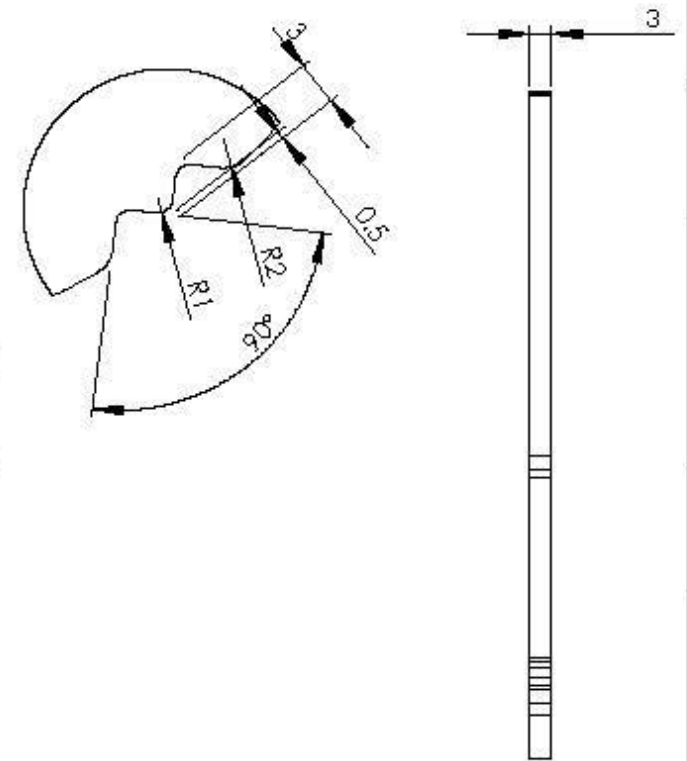
SCALE	NTS	ALL DIMENSIONS IN MILLIMETERS	QUANTITY	1	DO NOT SCALE IF IN DOUBT ASK
CHECKED		MATERIAL	NA		
LAST UP DATE	10/06/2014	FINISH	NA		
DRAWN		DESCRIPTION	G5001 SRGP GROUND SPIKE GENERAL ASSEMBLY		
DATE	02/06/2014				
ACAD FILE NAME					SH. 1
G5001 SRGP Ground Spike Dwg					
Part: G5001 SRGP Ground Spike Assy					OF 5



SCALE	NTS	ALL DIMENSIONS IN MILLIMETERS	QUANTITY	1	DO NOT SCALE IF IN DOUBT ASK
CHECKED	ICB	MATERIAL	MILD STEEL		
LAST UP DATE	10/06/2014	FINISH	HOT DIPPED GALVANISED		
DRAWN		DESCRIPTION	G 3001 SRGP GROUND SPIKE FABRICATION GENERAL ASSY DETAILS		
DATE	02/06/2014	ACAD FILE NAME	GS001 SRGP Ground Spike Dwg	SH.	2
		Part:	GS001 SRGP Ground Spike Assy		5



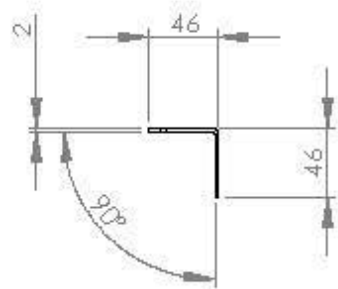
DETAIL A  
SCALE 2:1



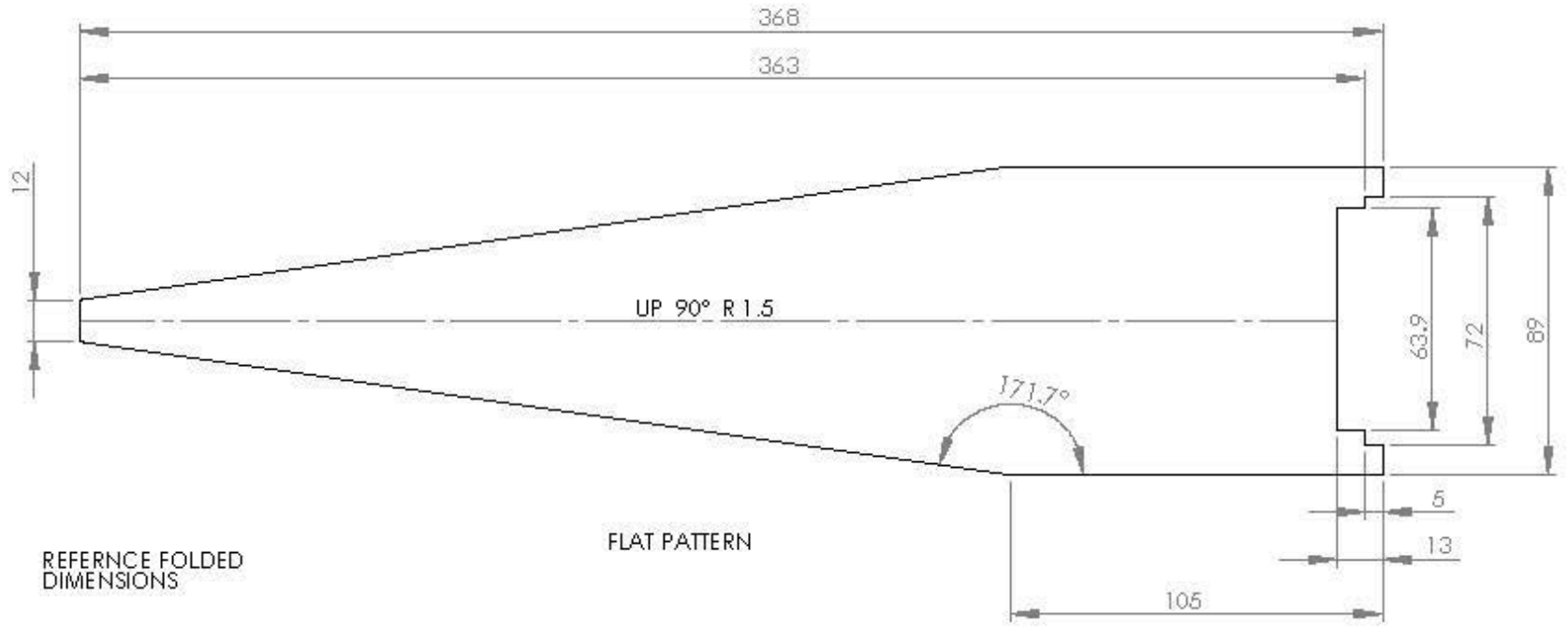
DXF FILE WILL BE SUPPLIED FOR MANUFACTURE OF TOOLING

SCALE	NTS	ALL DIMENSIONS IN MILLIMETERS	QUANTITY	1	DO NOT SCALE IF IN DOUBT ASK
CHECKED	ICB		MATERIAL	3mm MILD STEEL	
LAST UP DATE	10/06/2014	FINISH	NA		
DRAWN		DESCRIPTION	GS0011 SPIKE TOP PLATE VISUAL AID AND GENERAL DETAIL		
DATE	02/06/2014	ACAD FILE NAME	GS001 SRGP Ground Spike Dwg	SH.	3
		Part:	GS0011 Spike Top Plate	OF	5

DXF FILE WILL BE SUPPLIED FOR MANUFACTURE OF TOOLING

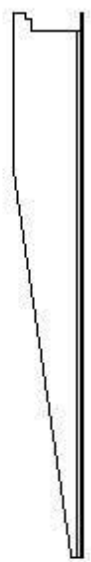


TOP VIEW



REFERNECE FOLDED DIMENSIONS

FLAT PATTERN



FRONT VIEW

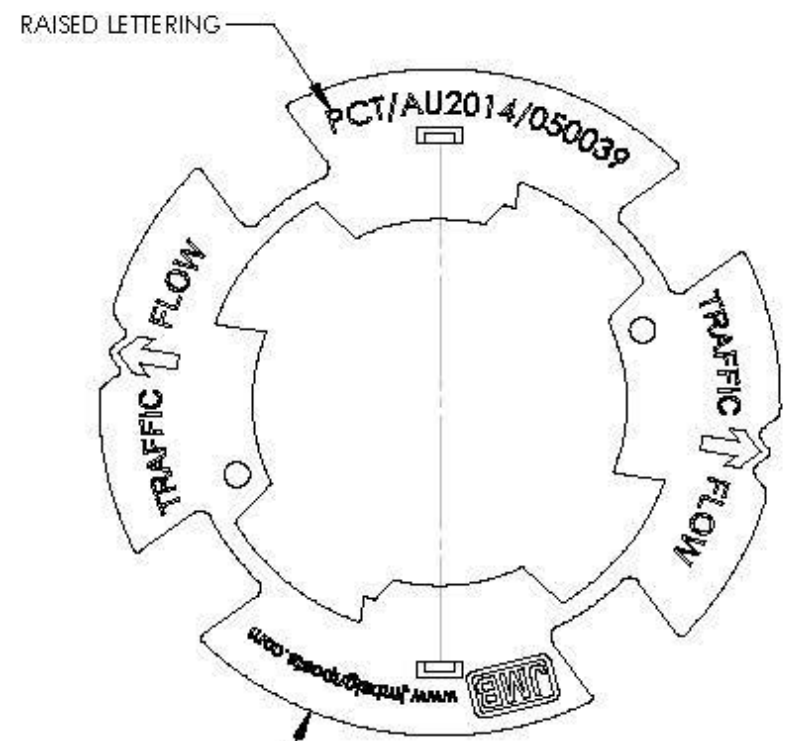
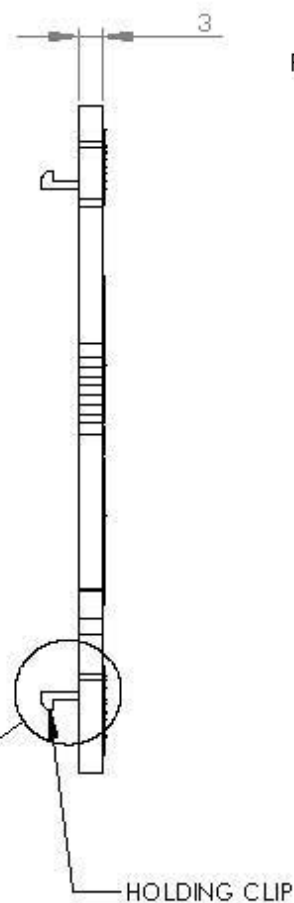
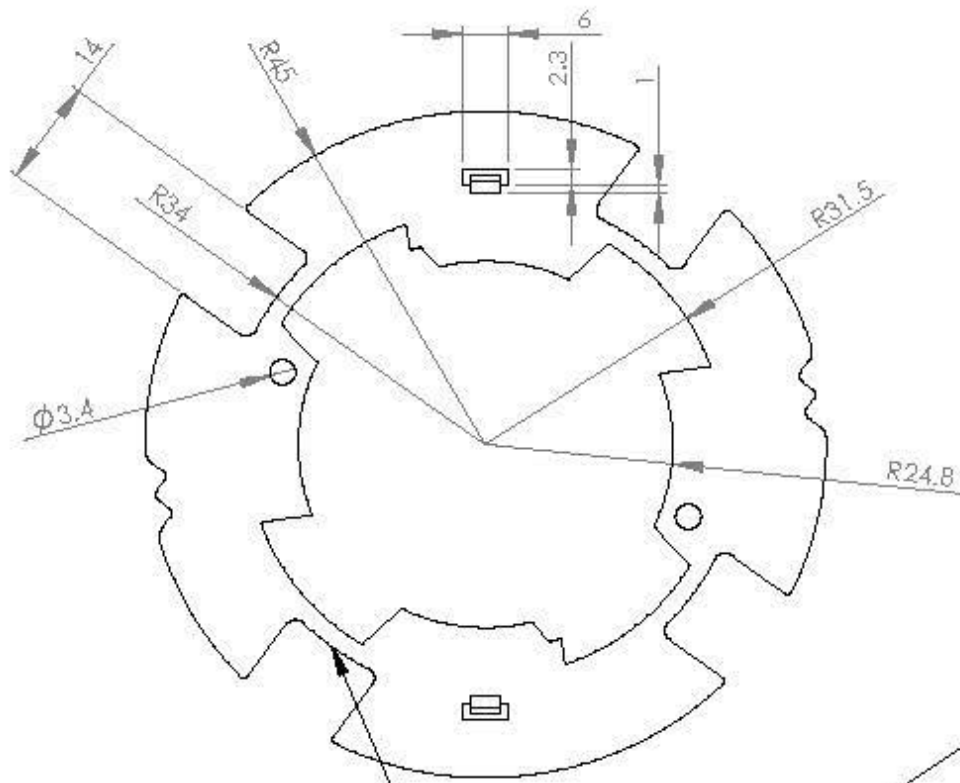


SIDE VIEW

SCALE	NTS
CHECKED	
LAST UP DATE	10/06/2014
DRAWN	
DATE	02/06/2014

	ALL DIMENSIONS IN MILLIMETERS	QUANTITY	2	DO NOT SCALE IF IN DOUBT ASK
MATERIAL		2mm MILD STEEL		
FINISH		NA		
DESCRIPTION		GS0012 SPIKE FIN DETAIL		

ACAD FILE NAME	SH. 4
GS001 SRGP Ground Spike Dwg	
Part: GS0012 Spike Fin	OF 5



FIN WELDING CLEARANCE FEATURE

DETAIL C  
SCALE 3:1

HOLDING CLIP

MATING PART  
DIMENSIONALLY EQUIVALENT TO  
GS0011 ON SHEET 3

PART MASS = 10g  
 MATERIAL = ??  
 SUITABLE FOR OUTSIDE USE  
 UV STABILISED MATERIAL  
 PART STEP FILE PROVIDED FOR TOOLING DESIGN

SCALE	NTS
CHECKED	
LAST UP DATE	10/06/2014
DRAWN	
DATE	02/06/2014

	ALL DIMENSIONS IN MILLIMETERS	QUANTITY	1	DO NOT SCALE IF IN DOUBT ASK
MATERIAL		UV STABILISED ??		
FINISH		NA		
DESCRIPTION		GS0011A SPIKE TOP PLATE INSERT VISUAL AID AND GENERAL DIMENSIONS		

ACAD FILE NAME	SH. 5
GS001 SRGP Ground Spike Dwg	
Part: GS0011A Spike Top Plate Insert	OF 5

