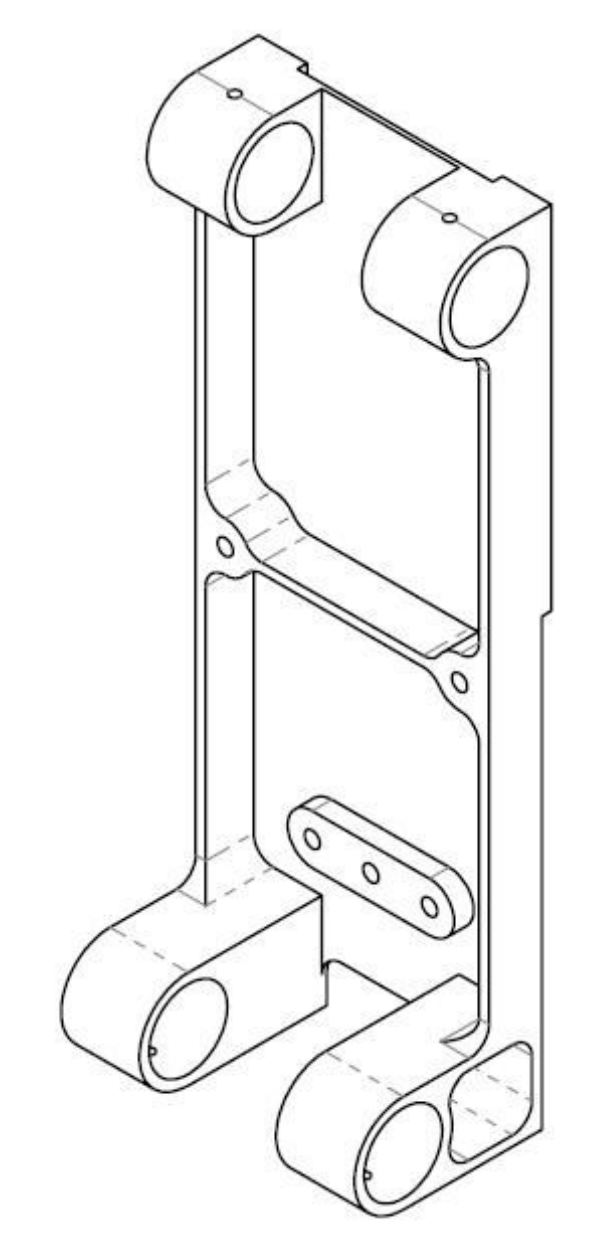
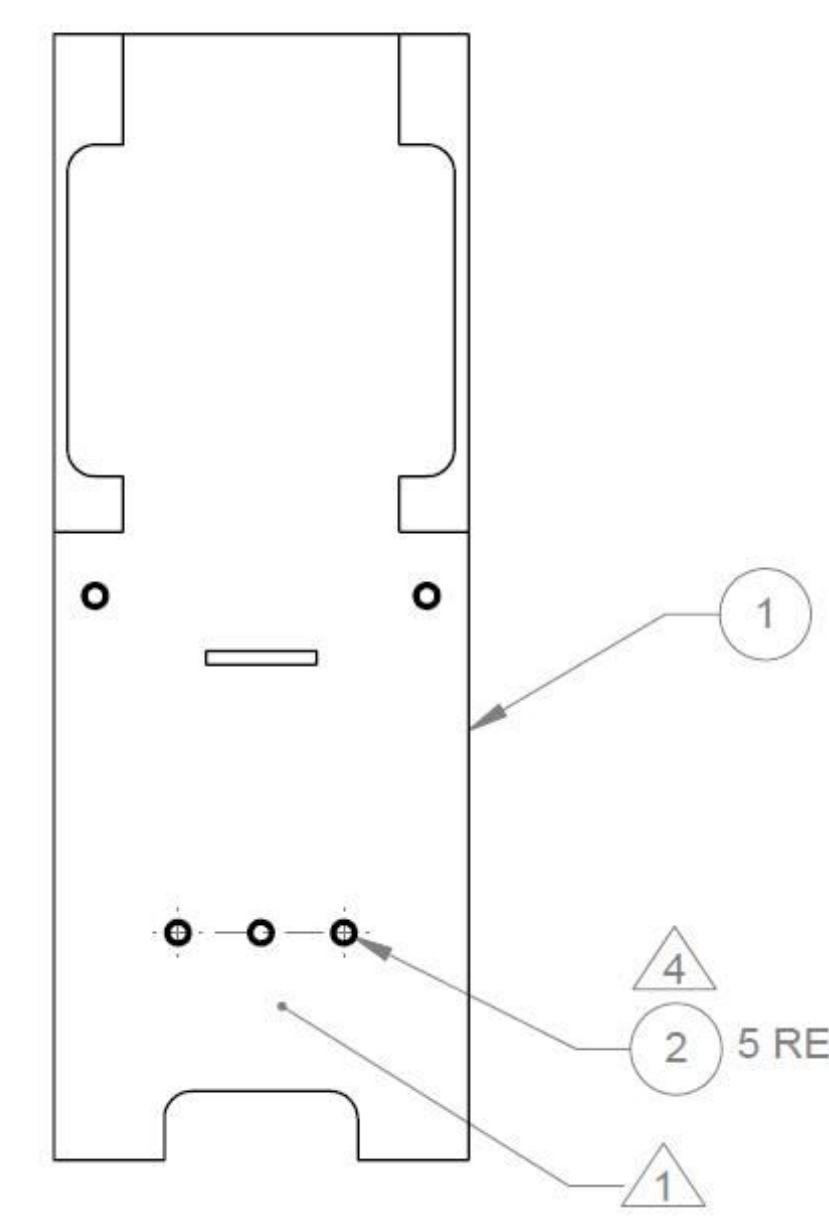


REVISIONS			
REV	DESCRIPTION	DATE	APPROVED
A	SEE DCN	07-18-11	N.D.A.
B	SEE DCN	11-30-11	N.D.A.

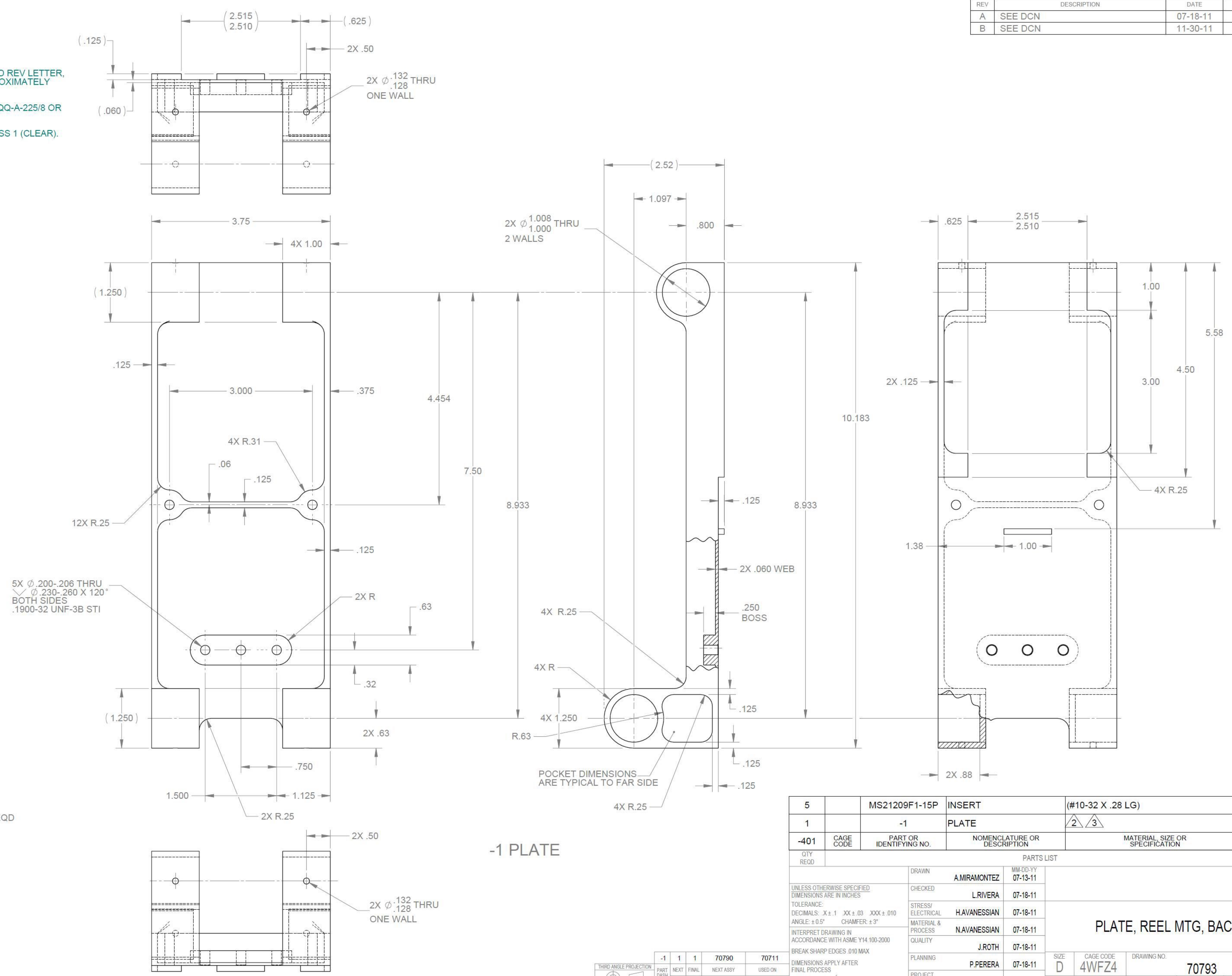
- NOTES: UNLESS OTHERWISE SPECIFIED
- IDENTIFY PER MIL-STD-130 (INK STAMP PN AND REV LETTER, CONTRASTING COLOR OR ENGRAVING), APPROXIMATELY WHERE SHOWN.
 - MATERIAL: 6061-T6 ALUMINUM PER SAE-AMS-QQ-A-225/8 OR EQUIVALENT.
 - FINISH: ANODIZE PER MIL-A-8625, TYPE II, CLASS 1 (CLEAR).
 - INSTALL INSERT PER MS33537.
 - FILLET RADII .030.



(-1)



-401 PLATE ASSY
SCALE 1:2



-1 PLATE

QTY REQD	PART OR IDENTIFYING NO.	NOMENCLATURE OR DESCRIPTION	MATERIAL, SIZE OR SPECIFICATION	ITEM NO.	
5	MS21209F1-15P	INSERT	(#10-32 X .28 LG)	2	
1	-1	PLATE	2 3	1	
-401	CAGE CODE	PART OR IDENTIFYING NO.	NOMENCLATURE OR DESCRIPTION	MATERIAL, SIZE OR SPECIFICATION	ITEM NO.

PARTS LIST			
DRAWN	MM-DD-YY	CHECKED	MM-DD-YY
A.MIRAMONTEZ	07-13-11	L.RIVERA	07-18-11
H.AVANESSIAN	07-18-11	N.AVANESSIAN	07-18-11
J.ROTH	07-18-11	P.PERERA	07-18-11
L.RIVERA	07-18-11		


SIZE	CAGE CODE	DRAWING NO.	REV
D	4WFZ4	70793	B

SCALE 1:1 & NOTED

THIRD ANGLE PROJECTION	PART DASH NO.	QTY REQD PER ASSY	FINAL	70790	70711	APPLICATION
		1	1			

PLATE, REEL MTG, BACK

SIZE D

		NOMENCLATURE PLATE, REEL MTG, BACK				DRAWING NO. 70793			REV B	
CAGE CODE: 4WFZ4		DISPOSITION OF PARTS	MATERIAL	WORK IN PROCESS	FINISHED PRODUCT	TOOLING	CUSTOMER APPROVAL		CHANGE CLASS	EFFECTIVITY
 DRAWING CHANGE NOTICE		USE UNTIL DEPLETED					YES NO		I II R	<input checked="" type="checkbox"/> IMMEDIATELY
		REWORK								<input type="checkbox"/> NEXT PROD. RUN
		SCRAP						<input type="checkbox"/> SERIAL NO.		
		NOT AFFECTED	X	X	X	X				
REASON FOR CHANGE REVISE TO STRENGTHEN BACK STRUCTURE ASSY										
NUM	ZONE	DESCRIPTION							DRAWN	MM-DD-YY
1	PL, B7	ITEM 2, 5 REQD WAS 3 REQD							A.MIRAMONTEZ	11-30-11
2	A5	ADDED 2X ϕ .128-.132 THRU ONE WALL WITH LOCATING DIMENSIONS							CHECKED	<i>[Signature]</i> 11-30-11
3	C5	7.50 WAS 7.404							STRESS / ELECTRICAL	<i>[Signature]</i> 11-30-11
								MATERIAL & PROCESS	<i>[Signature]</i> 11-30-11	
								QUALITY	<i>[Signature]</i> 11-30-11	
								PLANNING	<i>[Signature]</i> 12-16-11	
								PROJECT ENGR	<i>[Signature]</i> 11-30-11	
DISTRIBUTION COPIES										
								-	PRODUCTION	
								-	PURCHASING	
								-	QUALITY	
								-	PLANNING	
								-	PROJECT ENGR	
								-	TECHNICAL PUB	
								-	SALES	
								-	CUSTOMER SUPPORT	
DISTRIBUTION DATE										
SHEET NO. 1 OF 1										