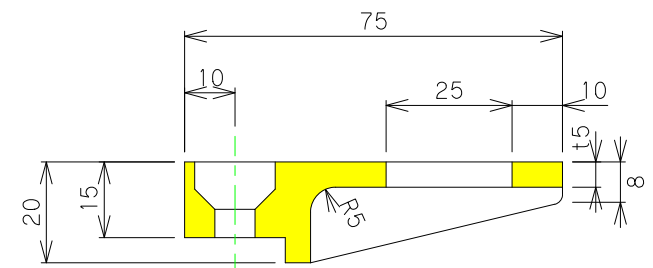
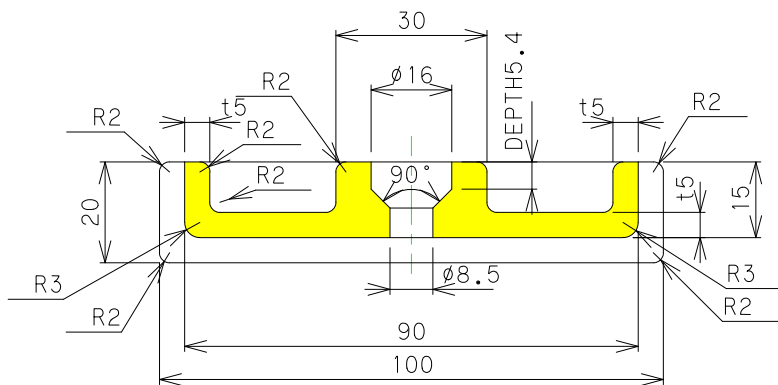


MATERIAL ADC  
 SURFACE SHOT BRAST  
 ANODIZING (COLOR BLUE)



1		PARTS-B										ADC					1	1	1		
No.	PARTS NAME										MATERIAL					Q'ty	DRAW No.	REMARKS			
TORERANCE	≥1	4	5	10	12	16	20	30	40	50	60	80	100	120	200	250	25A	TYPE	1	DATE	2012/11/13
1st CLASS	±0.05		±0.07			±0.1					±0.2					DRAWING SIZE	S3G-10S-ADC-PARTS-B				
2nd CLASS	±0.1		±0.2			±0.3					±0.5						TEM-ADC-S3G-B				
3rd CLASS	±0.3		±0.5			±0.7					±1.2										
DSGN	1	DSGN	(K)	WRTE	(K)	TRAC	(K)	CHEK	(W)	APRV											